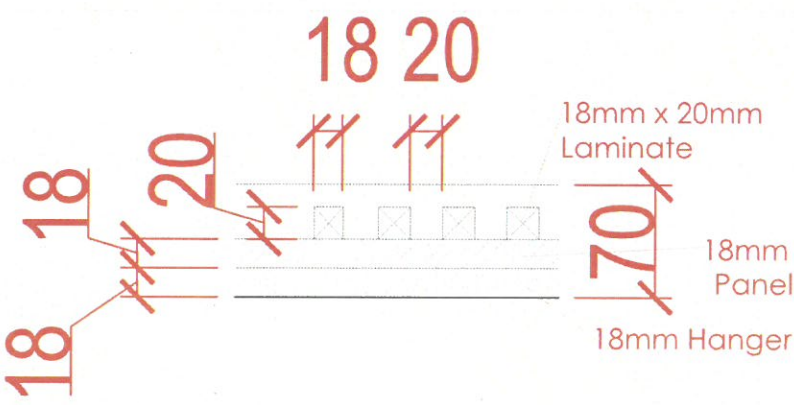
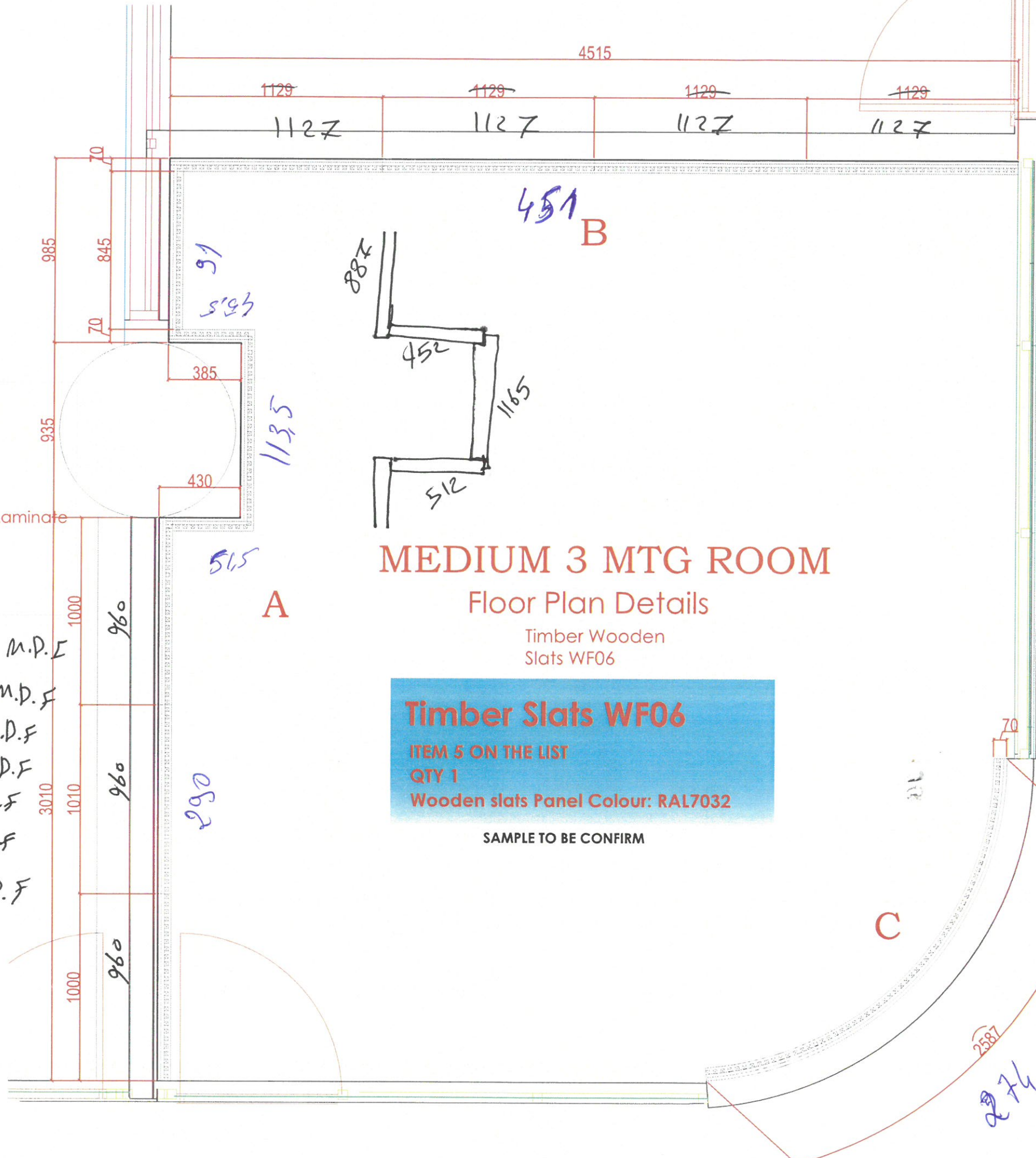


**FINISHES**

Colour:  
Range: Panel Colour:  
**RAL 7032**



- 1. 1072 X 1127 X 18 ⇒ 4 Panel M.D.F
- 2. 1072 X 887 X 18 ⇒ 1 Panel M.D.F
- 3. 1072 X 452 X 18 ⇒ 1 Panel M.D.F
- 4. 1072 X 1165 X 18 ⇒ 1 Panel M.D.F
- 5. 1072 X 512 X 18 ⇒ 1 Panel M.D.F
- 6. 1072 X 960 X 18 ⇒ 3 Panel M.D.F
- 7. 1072 X 20 X 18 ⇒ 235 M.D.F

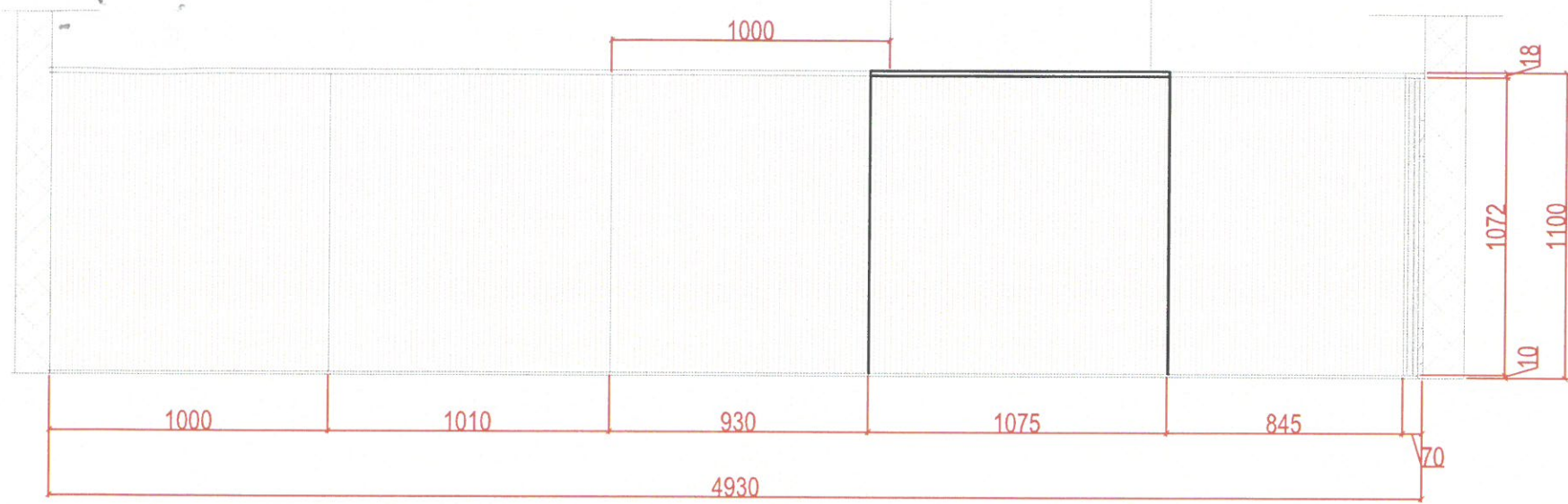
Date	Description
DSD-V1-ID-2/10/2024	- REV1
DSD-V1-ID-9/11/2024	- REV2
DSD-V1-ID-5/12/2024	- REV3
DSD-V1-ID-16/1/2025	- REV4



FOR APPROVAL

Project No. : ---  
Scale : N/A  
Drawn by : OBJ  
Checked : OBJ  
Cad File : CAD\_FILE

Sheet title  
**MEDIUM 3 MTG ROOM Timber Slats WF06**  
Floor Plan.



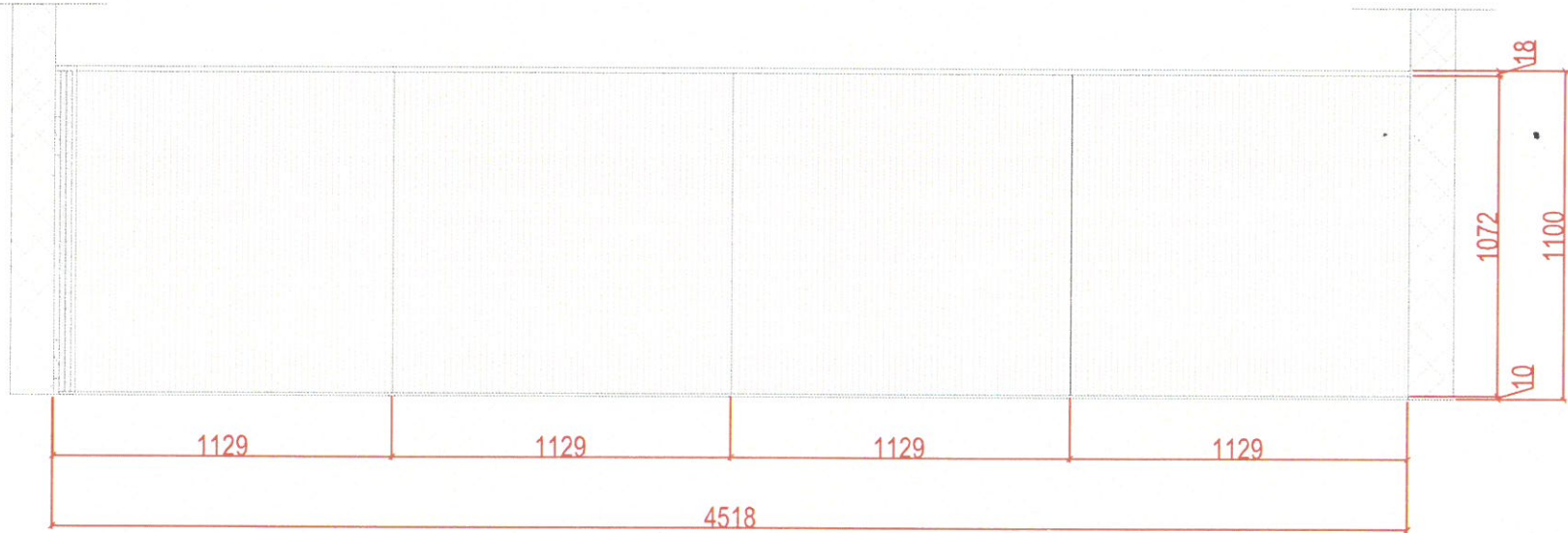
Elevation-A Details

**Timber Slats WF06**  
 ITEM 5 ON THE LIST  
 QTY 1  
 Wooden slats Panel Colour: RAL 7032

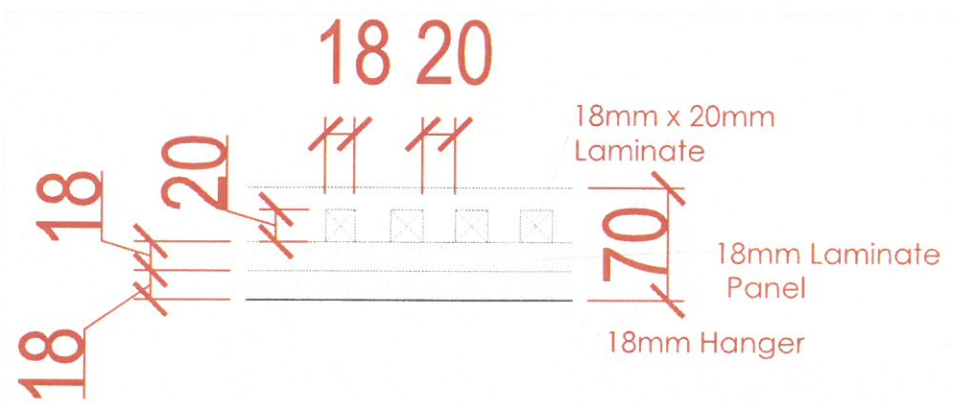
**MEDIUM 3 MTG ROOM**

**FINISHES**

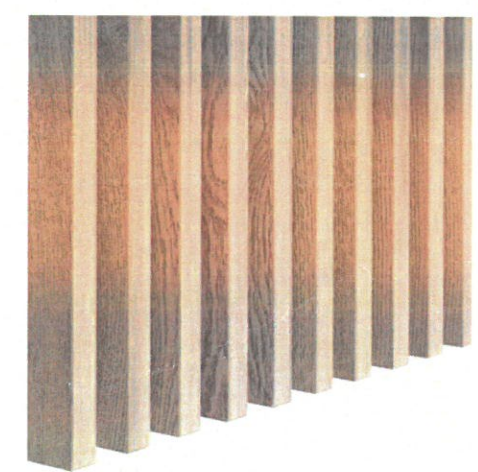
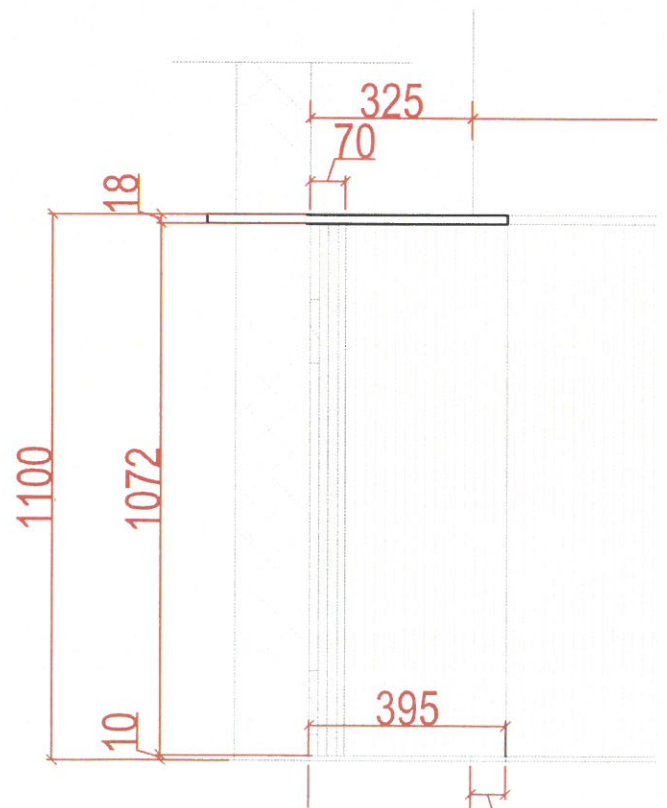
Colour:  
 Range: Panel Colour: Grey  
**SAMPLE TO BE CONFIRM**



Elevation-B Details



Elevation-C Details (TEMPLATE NEEDED)



Ref. Image



FOR APPROVAL

Project No. : ---  
 Scale : N/A  
 Drawn by : OBJ  
 Checked : OBJ  
 Cad File : CAD\_FILE

Sheet title  
**MEDIUM 3 MTG ROOM Timber Slats WF06**  
 Elev. and Section

Dwg No. : WS-DS-SD-TP-022  
 No. : SHEET 2



www.wood-styles.com

Copyright of designs shown herein is retained by this office. Authority is required for any reproduction. © Copyright Wood-styles Ltd.

Nigeria, Lagos +234 80 9037 9888  
 Email: info@wood-styles.com

Project  
 Citi contracting  
 TetraPak Project

Owner  
 ---

Date	Description
DSD-V1-ID-2/10/2024	- REV1
DSD-V1-ID-9/11/2024	- REV2
DSD-V1-ID-5/12/2024	- REV3
DSD-V1-ID-16/1/2025	- REV4